

Innera Climb Qi

Installation configurations:

In Desk /In Table

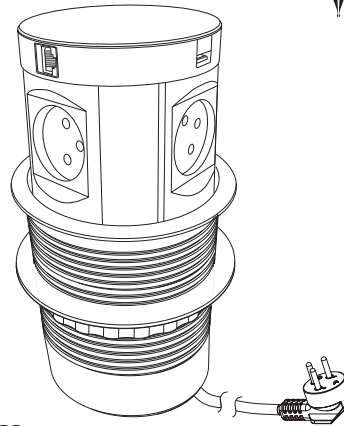
it mainly being placed in personal desk, in meeting room table, conference tables, podiums or any work surface, hosting surface and more.

providing great hidden solution with close & convenient access to power, charge, data and Telecom connections.

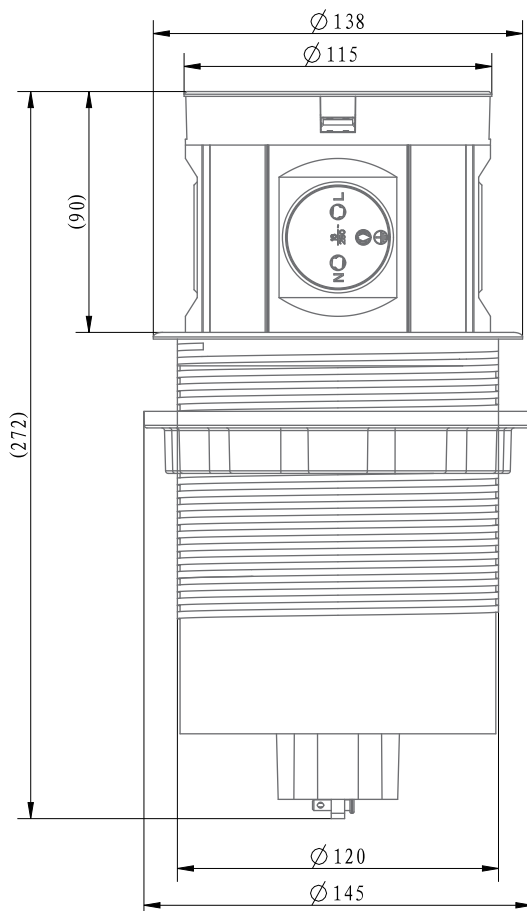
Product description:

Innera Bit Qi is an stylish personal working station that include: socket x4/USB chargerx2/Cat 6 port x2 and a Wireless charger to be intalled in any piece of furniture.

The new Innera Bit Qi - It incorporates a threaded fixing system enabling the installation of the charger in any Surface with a máximum thickness of 92 mm.



ICL-Qi



Power & Temperature:

Operating voltage: 230VAC 50VHZ

Maximum current: 16A

Work Temperature: up to 45°C

Structure & color:

Round & Compact, Innera Climb Qi is a unique solution with high grade properties, promising long life expectation. Innera Climb Qi is black mat and Alu.

Materials: Aluminium & PC.

Modules & combination:

The Innera Climb Qi - Charge comes with 4 power socket and with two Quick Charging USB socket and two cat 6 port and Wireless charger pad

Cable and connection to power:

The Innera Climb Qi - Charge is supplied with 0.4 meter cable (HO5VV-F 3x1.5mm²) with male GST 18/3 connector. In order to connect the product to power you should buy the power cable separately.

Testing: 100% testing

continuity, polarity, insulation & earth

Certification: SII test certification

Warranty: 3 years Warranty by German registered company

Installation: Power drill and hole cutter required, Please read the installation instruction prior to installation.

Packing: each item in a box

Catalog No	Model	Description	Cut Hole Ø mm	Height (mm) open from table	Height (H) mm
0726811931882	ICL-Qi	Innera Climb Qi	120	90	165